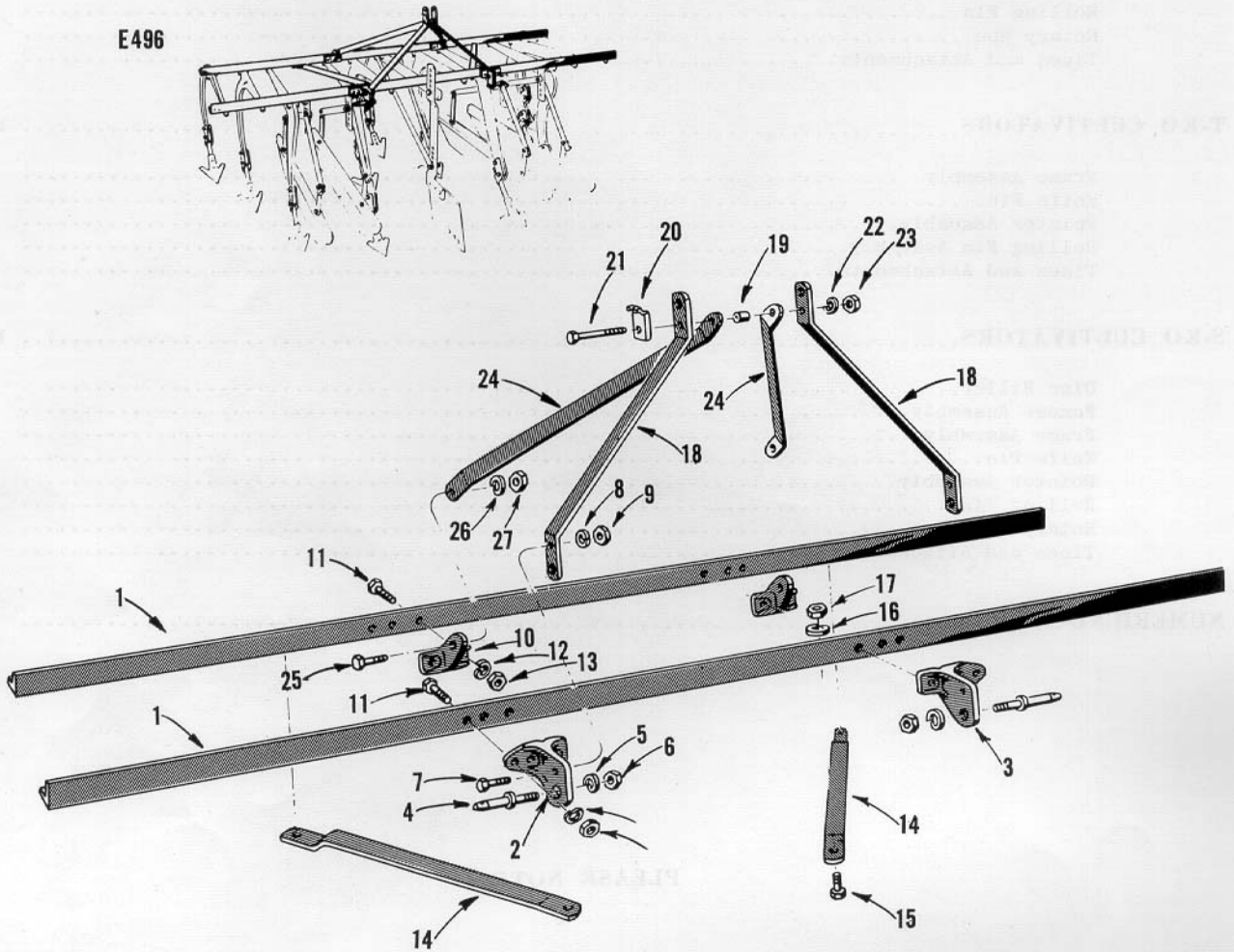


N-KO CULTIVATOR

FRAME ASSEMBLY

E496



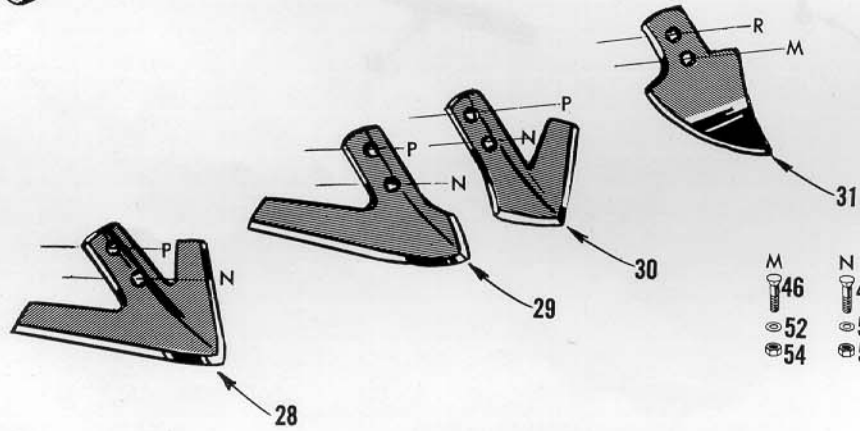
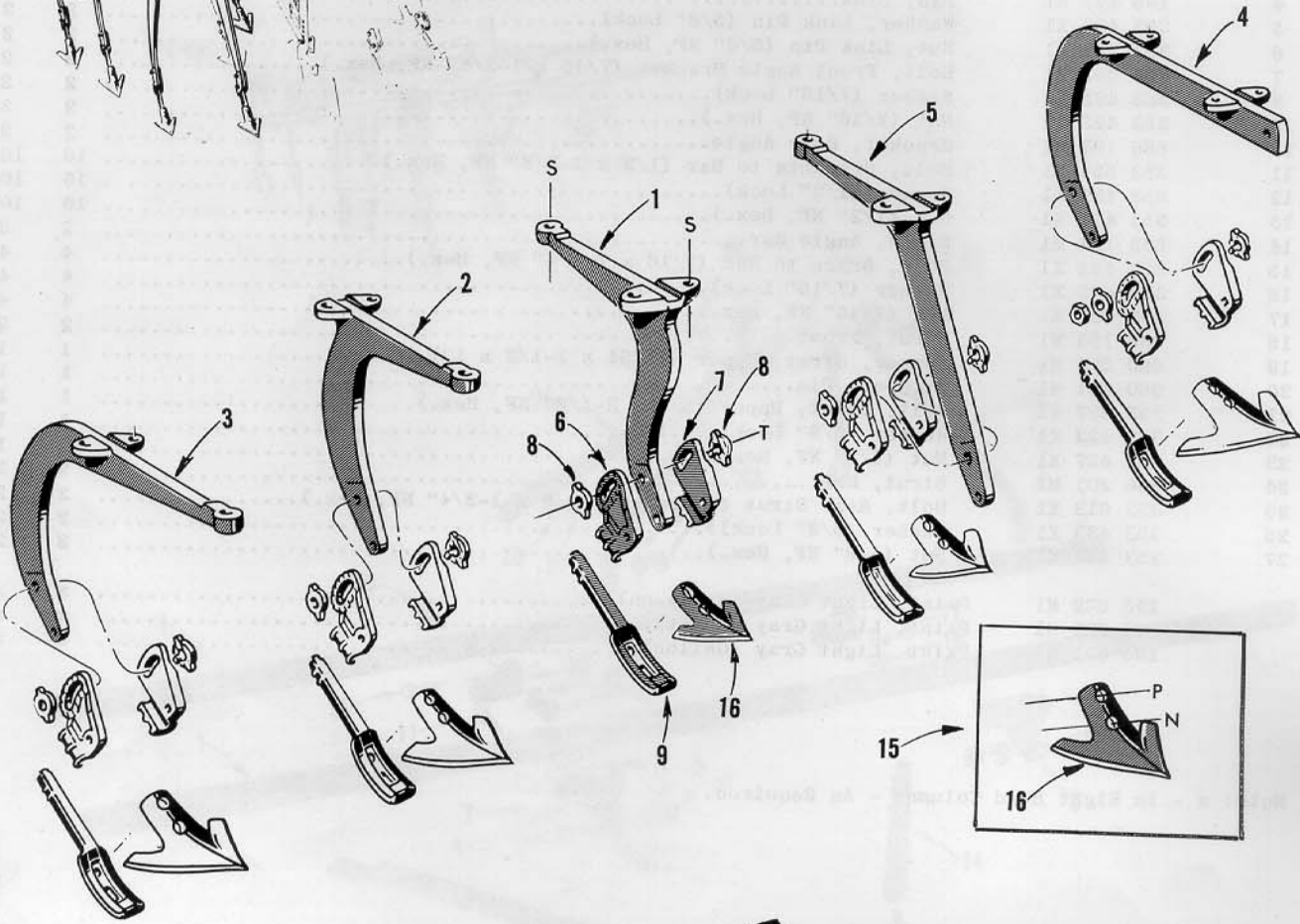
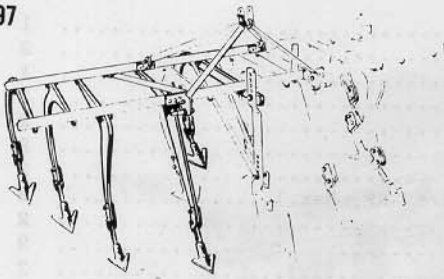
FRAME ASSEMBLY

Ref. No.	Part No.	Description	No. Req.	
			21	22
	686 189 M91	Frame Assembly.....	1	1
1	686 190 M2	Bar, Cultivator Angle.....	2	2
2	686 191 M1	Bracket, Front Angle, Right.....	1	1
3	686 192 M1	Bracket, Front Angle, Left.....	1	1
4	195 427 M1	Pin, Link.....	2	2
5	353 433 X1	Washer, Link Pin (5/8" Lock).....	2	2
6	353 427 X1	Nut, Link Pin (5/8" NF, Hex.).....	2	2
7	353 562 X1	Bolt, Front Angle Bracket (7/16 x 1-3/8" NF, Hex.).....	2	2
8	353 432 X1	Washer (7/16" Lock).....	2	2
9	353 426 X1	Nut (7/16" NF, Hex.).....	2	2
10	686 193 M1	Bracket, Rear Angle.....	2	2
11	353 594 X1	Bolt, Brackets to Bar (1/2 x 1-3/8" NF, Hex.).....	10	10
12	353 439 X1	Washer (1/2" Lock).....	10	10
13	353 437 X1	Nut (1/2" NF, Hex.).....	10	10
14	686 194 M1	Brace, Angle Bar.....	2	2
15	353 561 X1	Bolt, Brace to Bar (7/16 x 1-1/4" NF, Hex.).....	4	4
16	353 432 X1	Washer (7/16" Lock).....	4	4
17	353 426 X1	Nut (7/16" NF, Hex.).....	4	4
18	686 199 M1	Strut, Front.....	2	2
19	660 224 M1	Spacer, Strut, Upper (41/64 x 1-1/2 x 1").....	1	1
20	660 351 M1	Stopper, Pin.....	1	1
21	353 627 X1	Bolt, Strut, Upper (5/8 x 3-1/2" NF, Hex.).....	1	1
22	353 433 X1	Washer (5/8" Lock).....	1	1
23	353 427 X1	Nut (5/8" NF, Hex.).....	1	1
24	686 201 M1	Strut, Bar.....	2	2
25	353 613 X1	Bolt, Rear Strut to Bracket (5/8 x 1-3/4" NF, Hex.).....	2	2
26	353 433 X1	Washer (5/8" Lock).....	2	2
27	353 427 X1	Nut (5/8" NF, Hex.).....	2	2
	195 622 M1	Paint, Light Gray (Spray-on).....	x	x
	195 620 M1	Paint, Light Gray (Quart).....	x	x
	195 621 M1	Paint, Light Gray (Gallon).....	x	x

Note: x - in Right Hand Columns - As Required.

TINES AND ATTACHMENTS

E497



M	N	P	R	S	T
46	47	48	49	50	51
52	52	52	52	53	54
54	54	54	54	54	54

TINES AND ATTACHMENTS

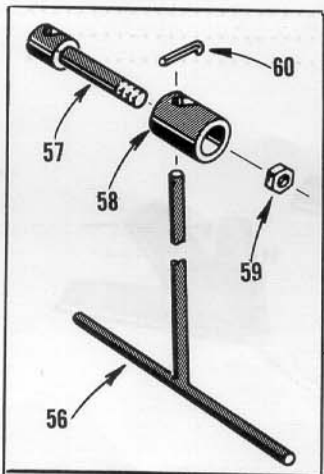
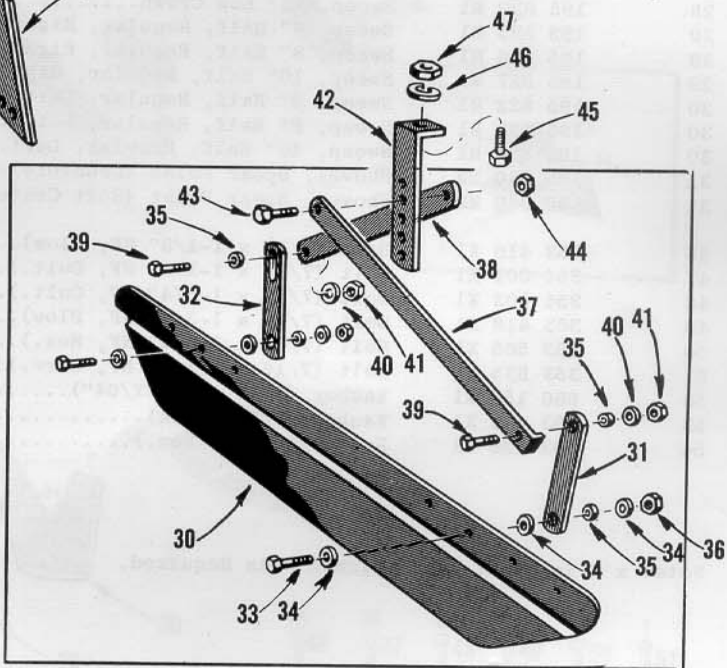
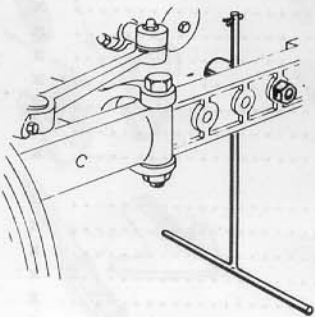
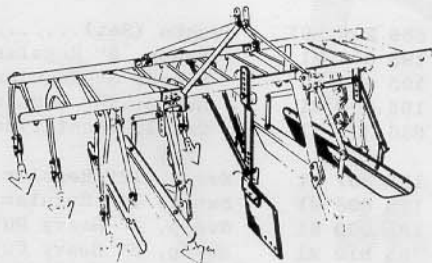
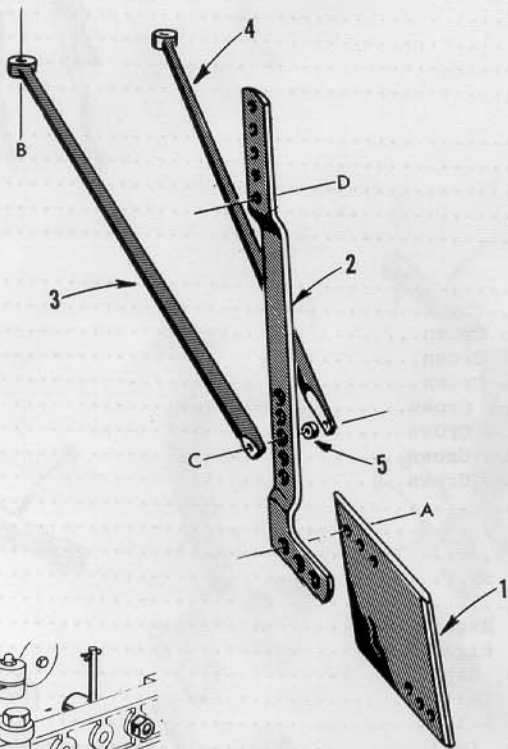
Ref. No.	Part No.	Description	No. Req.	
			21	22
1	686 213 M1	Tine, Front, Outer.....	2	1
2	686 214 M1	Tine, Intermediate.....	4	2
3	686 215 M1	Tine, Rear.....	2	2
4	686 216 M1	Tine, Center.....	1	-
5	686 220 M1	Tine, Front Inner.....	2	1
6	686 217 M1	Foot, Tine, Right.....	11	6
7	686 218 M1	Foot, Tine, Left.....	11	6
8	686 187 M1	Washer, Tine Foot.....	22	12
9	686 219 M1	Stem, Shovel.....	11	6
15	686 209 M91	Sweeps (Set).....	x	x
16	195 804 M1	Sweep, 6" Regular.....	4	4
16	195 805 M1	Sweep, 8" Regular.....	4	4
16	195 806 M1	Sweep, 10" Regular.....	3	3
	686 399 M1	Decal, Identification.....	11	11
28	195 807 M1	Sweep, 12" Regular.....	x	x
28	195 808 M1	Sweep, 14" Regular.....	x	x
28	195 809 M1	Sweep, 4" Heavy Duty, Low Crown.....	x	x
28	195 810 M1	Sweep, 6" Heavy Duty, Low Crown.....	x	x
28	195 811 M1	Sweep, 8" Heavy Duty, Low Crown.....	x	x
28	195 812 M1	Sweep, 10" Heavy Duty, Low Crown.....	x	x
28	195 813 M1	Sweep, 12" Heavy Duty, Low Crown.....	x	x
28	195 814 M1	Sweep, 14" Heavy Duty, Low Crown.....	x	x
28	195 815 M1	Sweep, 16" Heavy Duty, Low Crown.....	x	x
28	195 816 M1	Sweep, 4" Low Crown.....	x	x
28	195 817 M1	Sweep, 6" Low Crown.....	x	x
28	185 818 M1	Sweep, 8" Low Crown.....	x	x
28	195 819 M1	Sweep, 10" Low Crown.....	x	x
28	195 820 M1	Sweep, 12" Low Crown.....	x	x
29	195 825 M1	Sweep, 6" Half, Regular, Right.....	x	x
29	195 826 M1	Sweep, 8" Half, Regular, Right.....	x	x
29	195 827 M1	Sweep, 10" Half, Regular, Right.....	x	x
30	195 822 M1	Sweep, 6" Half, Regular, Left.....	x	x
30	195 823 M1	Sweep, 8" Half, Regular, Left.....	x	x
30	195 824 M1	Sweep, 10" Half, Regular, Left.....	x	x
31	195 830 M2	Shovel, Spear Point (Crucible).....	x	x
31	195 989 M2	Shovel, Spear Point (Soft Center).....	x	x
46	353 416 X1	Bolt (7/16 x 1-1/2" NF, Plow).....	x	x
47	354 001 X1	Bolt (7/16 x 1-1/2" NF, Cult.).....	x	x
48	354 003 X1	Bolt (7/16 x 1-3/4" NF, Cult.).....	x	x
49	353 418 X1	Bolt (7/16 x 1-3/4" NF, Plow).....	x	x
50	353 565 X1	Bolt (7/16 x 1-3/4" NF, Hex.).....	x	x
51	353 835 X1	Bolt (7/16 x 2-1/8" NF, Carr.).....	x	x
52	686 156 M1	Washer (7/16 x 1 x 7/64").....	x	x
53	353 432 X1	Washer (7/16" Lock).....	x	x
54	353 426 X1	Nut (7/16" NF, Hex.).....	x	x

Note: x - in Right Hand Columns - As Required.

N-KO CULTIVATOR

KNIFE, FENDERS AND POINTER ASSEMBLIES

E 498



- | | | | |
|----|----|----|----|
| A | B | C | D |
| 10 | 11 | 12 | 15 |
| 14 | 13 | 13 | 16 |
| | 14 | 14 | 17 |

KNIFE FIN, FENDERS AND POINTER ASSEMBLIES

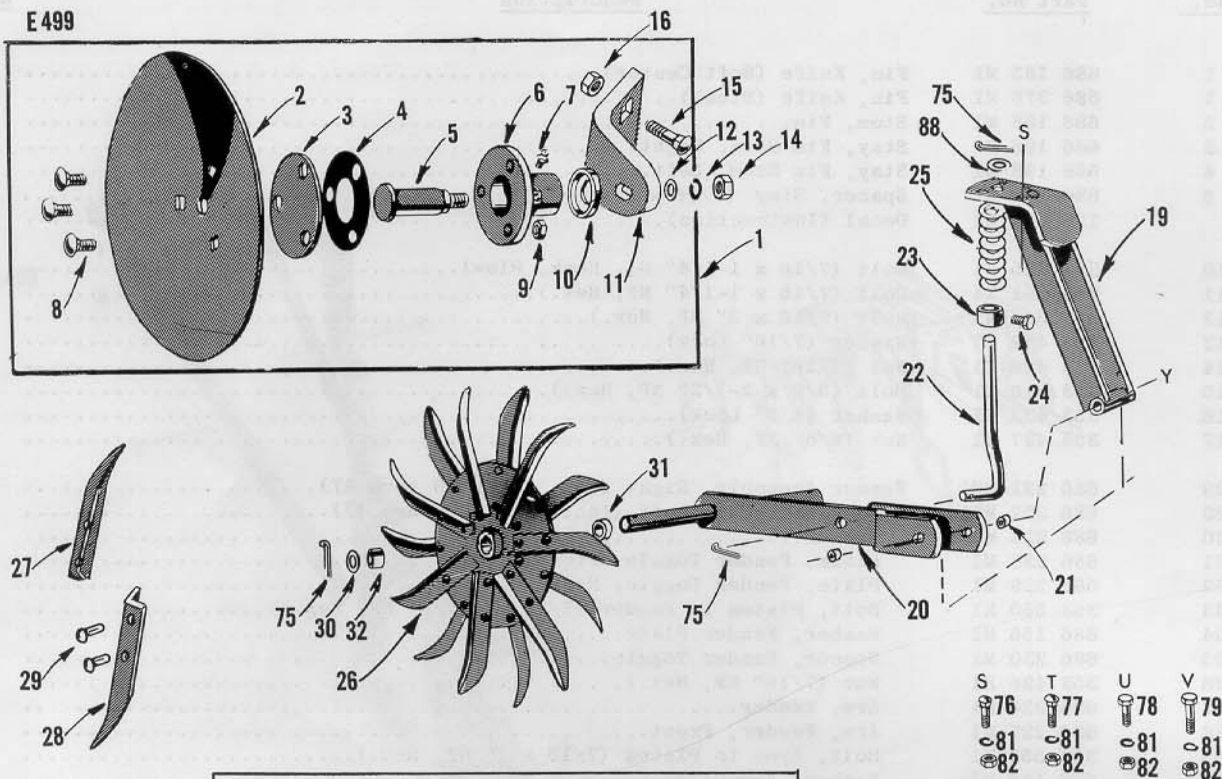
Ref. No.	Part No.	Description	No. Req.	
			21	22
1	686 185 M1	Fin, Knife (Soft Center).....	x	-
1	686 378 M1	Fin, Knife (Steel).....	x	-
2	686 188 M1	Stem, Fin.....	1	-
3	686 196 M1	Stay, Fin Stem, Right.....	1	-
4	686 198 M1	Stay, Fin Stem, Left.....	1	-
5	686 202 M1	Spacer, Stay (7/16 x 1 x 3/4").....	1	-
	196 044 M1	Decal (Instruction).....	1	-
10	353 415 X1	Bolt (7/16 x 1-1/4" Sq. Neck, Plow).....	x	-
11	353 561 X1	Bolt (7/16 x 1-1/4" NF, Hex.).....	x	-
12	353 567 X1	Bolt (7/16 x 2" NF, Hex.).....	x	-
13	353 432 X1	Washer (7/16" Lock).....	x	-
14	353 426 X1	Nut (7/16" NF, Hex.).....	x	-
15	353 616 X1	Bolt (5/8 x 2-1/2" NF, Hex.).....	x	-
16	353 433 X1	Washer (5/8" Lock).....	x	-
17	353 427 X1	Nut (5/8" NF, Hex.).....	x	-
29	686 221 M91	Fender Assembly, Right (Inc. items 30 thru 47).....	2	-
29	686 222 M91	Fender Assembly, Left (Inc. items 30 thru 47).....	2	-
30	686 223 M1	Fender.....	1	-
31	686 228 M1	Plate, Fender Toggle, Front.....	1	-
32	686 229 M1	Plate, Fender Toggle, Rear.....	1	-
33	353 560 X1	Bolt, Plates to Fender (7/16 x 1-1/8" NF, Hex.).....	2	-
34	686 156 M1	Washer, Fender Plate.....	6	-
35	686 230 M1	Spacer, Fender Toggle.....	2	-
36	353 426 X1	Nut (7/16" NF, Hex.).....	2	-
37	686 226 M1	Arm, Fender.....	1	-
38	686 227 M1	Arm, Fender, Front.....	1	-
39	353 559 X1	Bolt, Arms to Plates (7/16 x 1" NF, Hex.).....	2	-
40	686 156 M1	Washer, Arm Bolt.....	2	-
41	353 426 X1	Nut (7/16" NF, Hex.).....	2	-
42	686 225 M1	Support, Fender Arm.....	1	-
43	353 562 X1	Bolt, Arm to Support (7/16 x 1-3/8" NF, Hex.).....	1	-
44	353 426 X1	Nut (7/16" NF, Hex.).....	1	-
45	353 561 X1	Bolt, Support to Frame (7/16 x 1-1/4" NF, Hex.).....	1	-
46	353 432 X1	Washer (7/16" Lock).....	1	-
47	353 426 X1	Nut (7/16" NF, Hex.).....	1	-
55	686 204 M91	Pointer Assembly.....	1	-
56	686 207 M91	Arm, Steering Pointer.....	1	-
57	686 205 M1	Bolt, Pointer Arm (5/8" NF).....	1	-
58	686 206 M1	Sleeve, Pointer.....	1	-
59	353 427 X1	Nut (5/8" NF, Hex.).....	1	-
60	354 050 X1	Pin, Cotter (3/32 x 1").....	1	-

Note: x - in Right Hand Columns - As Required.

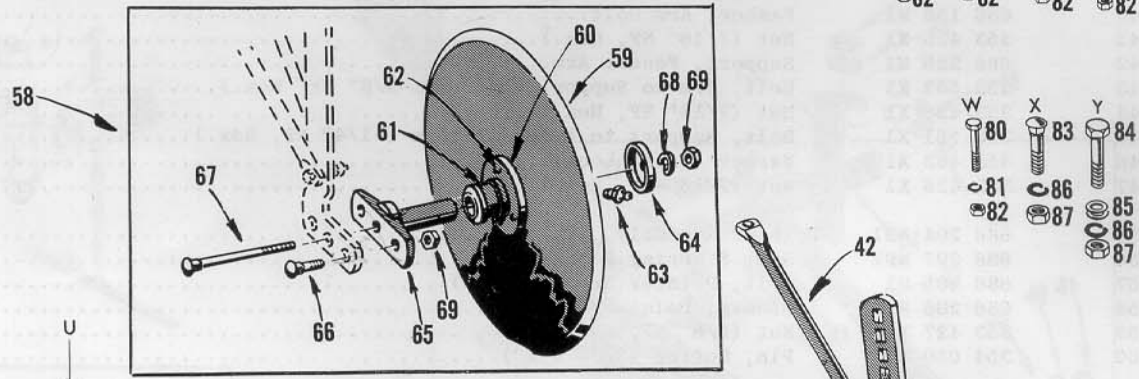
N-KO CULTIVATOR

DISC HILLER, ROTARY HOE AND ROLLING FIN ATTACHMENTS

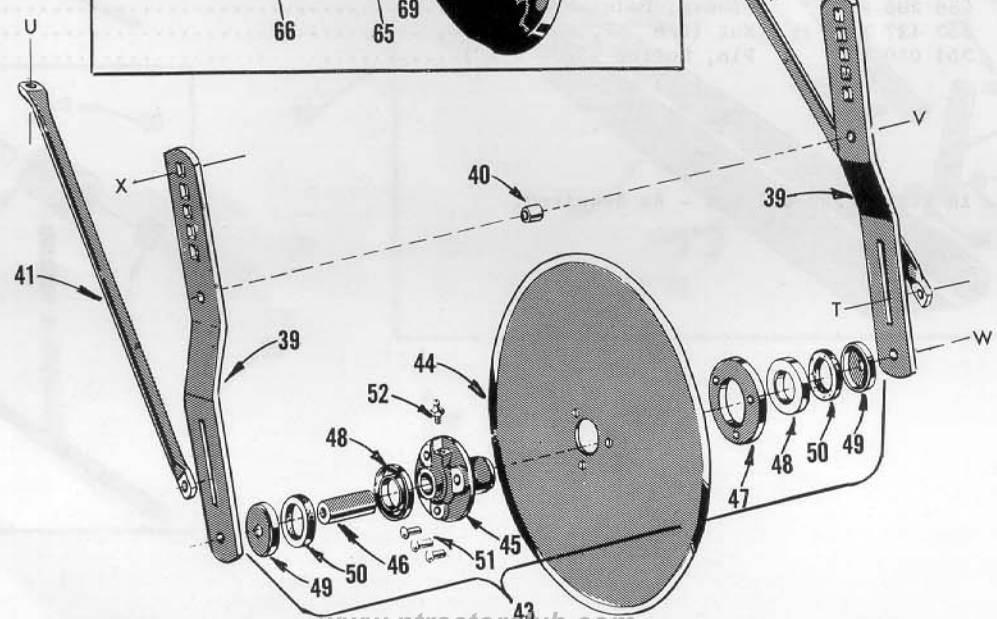
E 499



S	T	U	V
76	77	78	79
81	81	81	81
82	82	82	82



W	X	Y
80	83	84
81	86	85
82	87	86
		87



DISC HILLER ATTACHMENT

Ref. No.	Part No.	Description	No. Req.	
			21	22
1	686 128 M91	Hiller Assembly, Disc, 12".....	4	-
2	686 121 M1	Disc, 12".....	1	-
3	686 122 M1	Plate, Dust.....	1	-
4	686 123 M1	Gasket, Hub.....	1	-
5	686 119 M1	Spindle, Disc Hiller.....	1	-
6	686 124 M91	Hub Assembly, Disc.....	1	-
7	13 222 X	Grease Fitting (1/8" P.T., Str.).....	1	-
8	353 826 X1	Bolt, Hub to Disc (7/16 x 1" NF, Carr.).....	3	-
9	353 428 X1	Nut (7/16" NF, Hex., Jam.....	3	-
10	686 120 M1	Cap, Dust.....	1	-
11	686 129 M1	Bracket, Disc Hiller.....	1	-
12	353 760 X1	Washer (5/8" Small Flat).....	1	-
13	353 433 X1	Washer (5/8" Lock).....	1	-
14	353 427 X1	Nut (5/8" NF, Hex.).....	1	-
15	353 832 X1	Bolt, Bracket Attaching (7/16 x 1-3/4" NF, Carr.).....	2	-
16	353 426 X1	Nut (7/16" NF, Carr.).....	2	-

ROTARY HOE ATTACHMENT

19	686 355 M91	Frame Assembly, Rotary Hoe, Long.....	x	-
19	686 370 M91	Frame Assembly, Rotary Hoe, Short.....	x	-
20	686 359 M91	Arm Assembly, Hoe.....	1	-
21	686 365 M1	Bushing, Yoke (21/32 x 7/8 x 17/32").....	2	-
22	686 363 M1	Rod, Spring Guide.....	1	-
23	400 689 M1	Collar, Set.....	1	-
24	196 015 M1	Screw (1/2 x 5/8" Cup Pt., Hex. Hd., Set).....	1	-
25	686 364 M1	Spring, Hold-down.....	1	-
26	686 366 M1	Spider Assembly, Wheel.....	4	-
27	686 142 M1	Tooth, Spider, Right.....	7	-
28	686 143 M1	Tooth, Spider, Left.....	7	-
29	10 591 X	Rivet, Teeth to Plate (5/16 x 13/16" Button Hd.).....	28	-
30	686 078 M1	Washer, Spider Retaining (31/32 x 1-1/2 x 1/8").....	2	-
31	686 368 M1	Spacer, Inner (1 x 1-5/16 x 1-3/16")(w/ Rotary Shield only).....	2	-
32	686 369 M1	Spacer, Outer (1 x 1-5/16 x 1-9/16")(w/ Rotary Shield only).....	2	-

ROLLING FIN ATTACHMENT

39	686 088 M1	Yoke, Coultter.....	2	-
40	686 087 M1	Spacer, Yoke.....	1	-
41	686 089 M1	Strut, Coultter, Right.....	1	-
42	686 090 M1	Strut, Coultter, Left.....	1	-
43	686 082 M91	Disc and Hub Assembly.....	1	-
44	660 387 M1	Disc, Coultter, 18" Plain.....	1	-
45	660 400 M1	Hub, Disc.....	1	-
46	660 382 M1	Bushing, Hub.....	1	-
47	660 385 M1	Collar, Hub.....	1	-
48	686 084 M1	Retainer, Felt, Male.....	1	-
49	686 085 M1	Retainer, Felt, Female.....	1	-
50	686 086 M1	Washer, Felt.....	1	-
51	16 922 X	Rivet (5/16 x 1-3/8" Button Hd.).....	3	-
52	13 222 X	Grease Fitting (1/8" P.T., Str.).....	1	-
58	686 154 M91	Fin Assembly, Rolling (Used Early Machines).....	1	-
59	660 369 M91	Disc and Hub Assembly.....	1	-
60	660 385 M1	Collar, Disc.....	1	-
61	660 400 M1	Hub, Disc.....	1	-
62	16 922 X	Rivet (5/16 x 1-3/8" Button Hd.).....	3	-
63	13 222 X	Grease Fitting (1/8" P.T., Str.).....	1	-
64	660 381 M1	Cover, Hub Dust.....	1	-
65	686 155 M91	Axle, Rolling Fin.....	1	-
66	353 415 X1	Bolt, Hub to Axle (7/16 x 1-1/4" NF, Plow).....	1	-
67	353 420 X1	Bolt, Axle to Stem (7/16 x 4-5/8" NF, Plow).....	1	-
68	353 432 X1	Washer (7/16" Lock).....	1	-
69	353 426 X1	Nut (7/16" NF, Hex.).....	2	-
75	354 092 X1	Cotter Pin (1/4 x 1-3/4").....	x	-
76	353 828 X1	Bolt (7/16 x 1-1/4" NF, Carr.).....	x	-
77	353 829 X1	Bolt (7/16 x 1-3/8" NF, Carr.).....	x	-
78	353 562 X1	Bolt (7/16 x 1-3/8" NF, Hex.).....	x	-
79	353 568 X1	Bolt (7/16 x 2-1/8" NF, Hex.).....	x	-
80	353 586 X1	Bolt (7/16 x 4-3/8" NF, Hex.).....	x	-
81	353 432 X1	Washer (7/16" Lock).....	x	-
82	353 426 X1	Nut (7/16" NF, Hex.).....	x	-
83	354 251 X1	Bolt (5/8 x 2-3/8" NF, Carr.).....	x	-
84	353 641 X1	Bolt (5/8 x 5-1/4" NF, Hex.).....	x	-
85	353 774 X1	Washer (5/8" Heavy Flat).....	x	-
86	353 433 X1	Washer (5/8" Lock).....	x	-
87	353 427 X1	Nut (5/8" NF, Hex.).....	x	-
88	353 761 X1	Washer (11/16" Flat).....	x	-